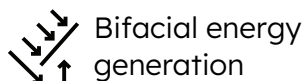


Maxeon Performance 6

Commercial Solar Panel

495-525 W | SPR-P6-XXX-UPP



Reduced Operating Costs

The Performance panel delivers energy production your bottom line can count on—leveraging high efficiency cells and an advanced electrical architecture to generate the energy you need to hedge future power bills.

Secure, Reliable Investment

The advanced engineering of the Performance panel provides reliable high power and a longer product lifecycle to maximise your return-on-investment. Rest assured knowing our nearly 40-years of solar experience and best-in-class warranty prove these panels are up to the challenge, day-in and day-out.

A Better Product for a Better Planet

Recognised by third-party organisations as a sustainability leader,¹ feel confident knowing your panel is produced from a clean supply chain with the highest quality standards of materials and human rights. It's a quick win for your ESG goals.

Corporate Knights



A better product, a better warranty

Maxeon Performance 6 panels are covered by a 25-year warranty. Manufactured for long-term durability — covering defects related to workmanship and materials for a full 25 years.

Product and power coverage	25 / 25 Years
Year 1 minimum warranted output	98.0%
Maximum annual degradation	0.45%

maxeon

Learn more about Maxeon panels
maxeon.com/us



Performance 6 POWER: 495–525 W | EFFICIENCY: Up to 20.2%

Electrical Data, Front STC Characteristics ²							
	SPR-P6-525-UPP	SPR-P6-520-UPP	SPR-P6-515-UPP	SPR-P6-510-UPP	SPR-P6-505-UPP	SPR-P6-500-UPP	SPR-P6-495-UPP
Nominal Power (P _{nom})	525 W	520 W	515 W	510 W	505 W	500 W	495 W
Power Tolerance	+3/0%	+3/0%	+3/0%	+3/0%	3/0%	+3/0%	+3/0%
Panel Efficiency	20.2%	20.0%	19.8%	19.6%	19.4%	19.2%	19.0%
Rated Voltage (V _{mpp})	38.5 V	38.3 V	38.1 V	37.8 V	37.5 V	37.2 V	36.9 V
Rated Current (I _{mp})	13.62 A	13.58 A	13.52 A	13.50 A	13.47 A	13.45 A	13.42 A
Open-Circuit Voltage (V _{oc}) (+/-3%)	46.1 V	46.1 V	46.0 V	45.9 V	45.8 V	45.7 V	45.6 V
Short-Circuit Current (I _{sc}) (+/-4%)	14.44 A	14.42 A	14.41 A	14.39 A	14.38 A	14.35 A	14.34 A

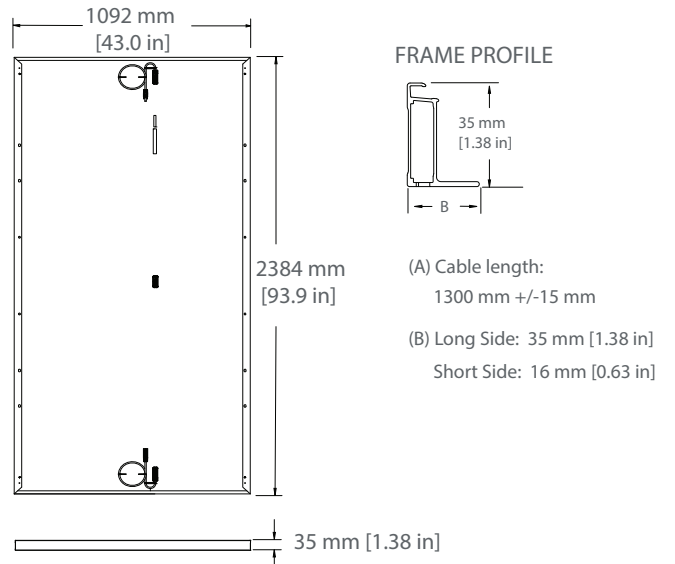
Bifacial Gain ³							
P _{max} with 5% Bifacial Gain	551 W	546 W	541 W	536 W	530 W	525 W	520 W
I _{sc} with 5% Bifacial Gain	15.17 A	15.14 A	15.13 A	15.11 A	15.10 A	15.07 A	15.06 A
P _{max} with 10% Bifacial Gain	578 W	572 W	567 W	561 W	556 W	550 W	545 W
I _{sc} with 10% Bifacial Gain	15.89 A	15.86 A	15.85 A	15.83 A	15.82 A	15.79 A	15.77 A
P _{max} with 20% Bifacial Gain	630 W	624 W	618 W	612 W	606 W	600 W	594 W
I _{sc} with 20% Bifacial Gain	17.33 A	17.30 A	17.29 A	17.27 A	17.26 A	17.22 A	17.21 A

Electrical Data	
Bifaciality (φP _{max})	70% +/-10%
Maximum System Voltage	1500 V UL & 1500 V IEC
Temperature	-40°F to +185°F (-40°C to +85°C)
Maximum Series Fuse	25 A
Power Temp. Coef.	-0.34% / °C
Voltage Temp. Coef.	-0.28% / °C
Current Temp. Coef.	0.06% / °C

Packaging Configuration	
Number of modules per pallet	31
Number of pallets per 40ft HQ container	20
Number of modules per container	620

Tests And Certifications	
Standard Tests	UL 61730, UL 61215
Quality Certs	ISO 9001:2015, ISO 14001:2015
EHS Compliance	ISO 45001-2018, Recycling Scheme
Ammonia Test	IEC 62716
Dust and Sand	IEC 60068-2-68
Salt Spray Test	IEC 61701 (Severity 6)
LeTID Test	TUV 2fg 2689/04.19 (LeTID Detection)
PID Test	IEC 62804
Available Listings	UL, CEC (Pending)

Mechanical Data	
Solar Cells	Monocrystalline PERC
Glass	2.0 mm + 2.0 mm, high transmission heat strengthened glass, AR coating on front glass
Junction Box	IP-68, 3 bypass diodes
Connector	Zerun
Weight	71.4 lbs (32.4 kg)
Max. Load ⁴	Wind: 50 psf, 2400 Pa, 244 kg/m ² front & back Snow: 112 psf, 5400 Pa, 550kg/m ² front
Impact Resistance	1 inch (25 mm) diameter hail at 52 mph (23 m/s)
Frame	Silver anodized aluminum alloy



Please read the safety and installation instructions. Visit www.maxeon.com/us/InstallGuideUL. Paper version can be requested through techsupport.ROW@maxeon.com

1 Corporate Knights Global 100 Ranking 2024: <https://www.corporateknights.com/rankings/global-100-rankings/2024-global-100-rankings/the-20th-annual-global-100/>

2 Standard Test Conditions (1000 W/m² irradiance, AM 1.5, 25° C). NREL calibration Standard: SOMS current, LACCS FF and Voltage.

3 The additional gain from the back side of the panel compared to the power of the front side of the panel at the standard test conditions. It depends on mounting (structure, height, tilt angle etc.) and albedo of the underlying surface.

4 As per IEC 61215-2016 tested and certified. See Safety and Installation Guideline for details.

Designed in U.S.A.
Assembled in Mexico
Specifications included in this datasheet are subject to change without notice.
©2024 Maxeon Solar Technologies. All Rights Reserved.
View warranty, patent and trademark information at maxeon.com/legal.

